



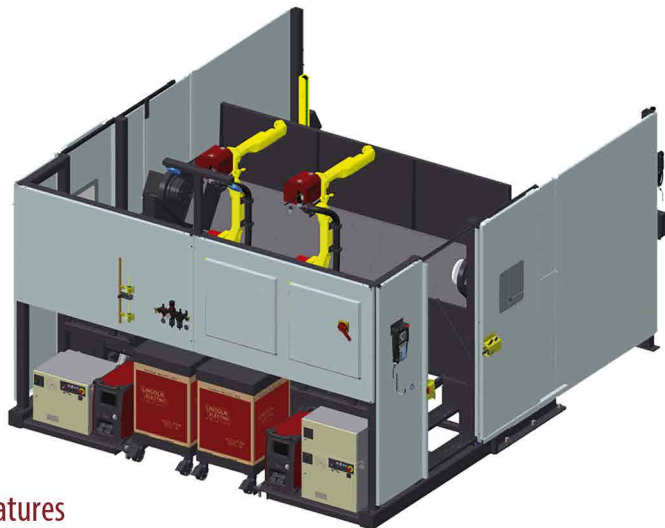
## PRODUCT DETAILS

### Compact Footprint

- Weld wire, robot controllers and welding equipment housed under operator programming platform
- Sliding entry doors on left and right side with operator access stairs to programming platform

### Design

- Robot, TM Station and Positioner mounting surfaces machined as a single piece assembly to provide offline programming and cloning accuracy
- Positioner can be moved as one unit and includes fork truck pockets on both ends
- Positioner bolts and dowels to machined single piece base



### System Features

- All wiring self contained within base and positioner
- Dual enclosures to isolate high voltage, and to allow safe access to low voltage
- Custom Vizient heavy-duty rotary grounds
- High-speed, servo driven indexing and positioning axis
- Pneumatically actuated programming platform flip-floor with integrated safety function



[www.vizient.com](http://www.vizient.com)

3129 State Street, Bettendorf, IA 52722

**FANUC**



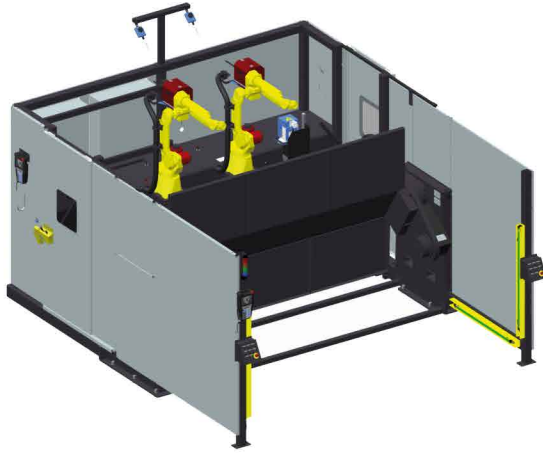
AUTHORIZED INTEGRATOR

Phone: (563) 355-4812

Email: [info@vizient.com](mailto:info@vizient.com)

**ria** CERTIFIED  
Robot Integrator

# Compact Ferris Wheels



## AVAILABLE OPTIONS

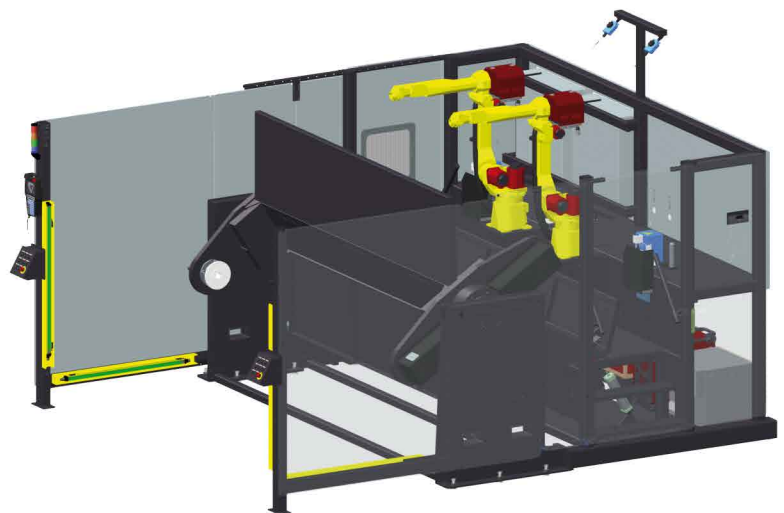
- Slide-out equipment trays
  - Allows maintenance to access robot controller and power supply from rear of cell
- Touch Panel operator controls
- Fanuc iR Vision systems
- Non-contact laser touch sensing
- Training
  - Basic programming, Advanced programming, Maintenance, and Custom training available

## AVAILABLE POSITIONER SPECIFICATIONS

 Tool Swing Diameters (mm)	1000	1250	1500
 Weight Capacities (kg)	750	1500	
 Tool Bed Lengths (mm)	2000	2500	3000

## COMPONENT CONFIGURATIONS

- Choice of single or dual-arm configuration
- Fanuc 100iC, 100iC/6L, 120iC, 120iC/10L robots
- Lincoln i400, S500, R500, S700 power supplies
- Binzel and Tregaskiss welding equipment



[www.vizient.com](http://www.vizient.com)

3129 State Street, Bettendorf, IA 52722

FANUC



AUTHORIZED INTEGRATOR

Phone: (563) 355-4812

Email: [info@vizient.com](mailto:info@vizient.com)

**ria** CERTIFIED  
Robot Integrator